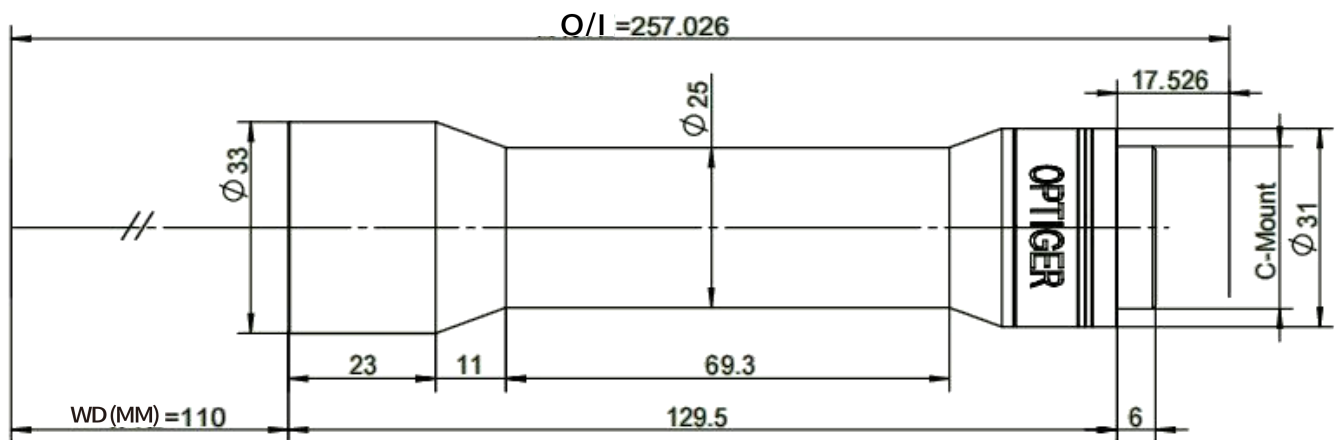


# OTL11.5-20-110C



Unit: mm

## Specifications

Max. FOV(mm)	5.75
Sensor Size (mm)	11.5
Magnification	2.0
WD (mm)	110
Effective F-number	13
Object-side Resolution (um)	4.362
DOF (mm)	0.26
Measured Telecentricity	0.025°
Measured Distortion	0.015%
Mount	C-Mount
Length(mm)	129.5
Diameter (mm)	33
Weight (g)	173.0

**DESIGNED IN GERMANY**  
ULTRA HIGH PERFORMANCE TELECENTRIC LENSES

## Features

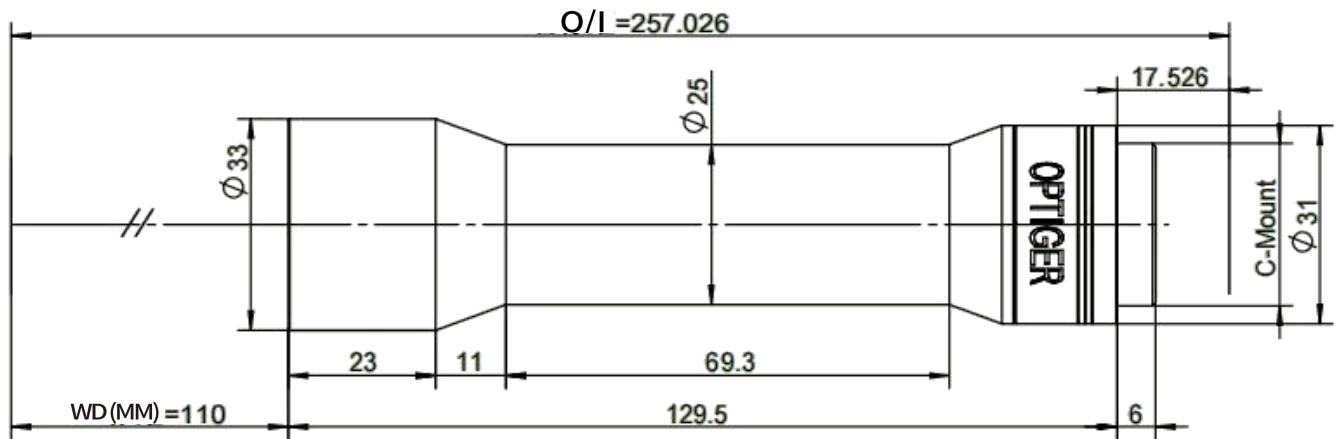
Available for cameras with sensor size of 2/3"

Available for cameras with pixel size of 3.45um

## FOV (mm\*mm)

1/2"(6.4X4.8)	3.2X2.4
2/3"(8.8X6.6)	4.4X3.3
Max Sensor Size (9.2X6.9)	4.6X3.45

# OTL11.5-20-110C-D



Unit: mm

## Specifications

Max. FOV(mm)	5.75
Sensor Size (mm)	11.5
Magnification	2.0
WD (mm)	110
Effective F-number	20
Object-side Resolution (um)	6.710
DOF (mm)	0.4
Measured Telecentricity	0.025°
Measured Distortion	0.015%
Mount	C-Mount
Length(mm)	129.5
Diameter (mm)	33
Weight (g)	173.0

**DESIGNED IN GERMANY**  
ULTRA HIGH PERFORMANCE TELECENTRIC LENSES

## Features

Available for cameras with sensor size of 2/3"

Available for cameras with pixel size of 3.45um

## FOV (mm\*mm)

1/2"(6.4X4.8)	3.2X2.4
2/3"(8.8X6.6)	4.4X3.3
Max Sensor Size (9.2X6.9)	4.6X3.45